



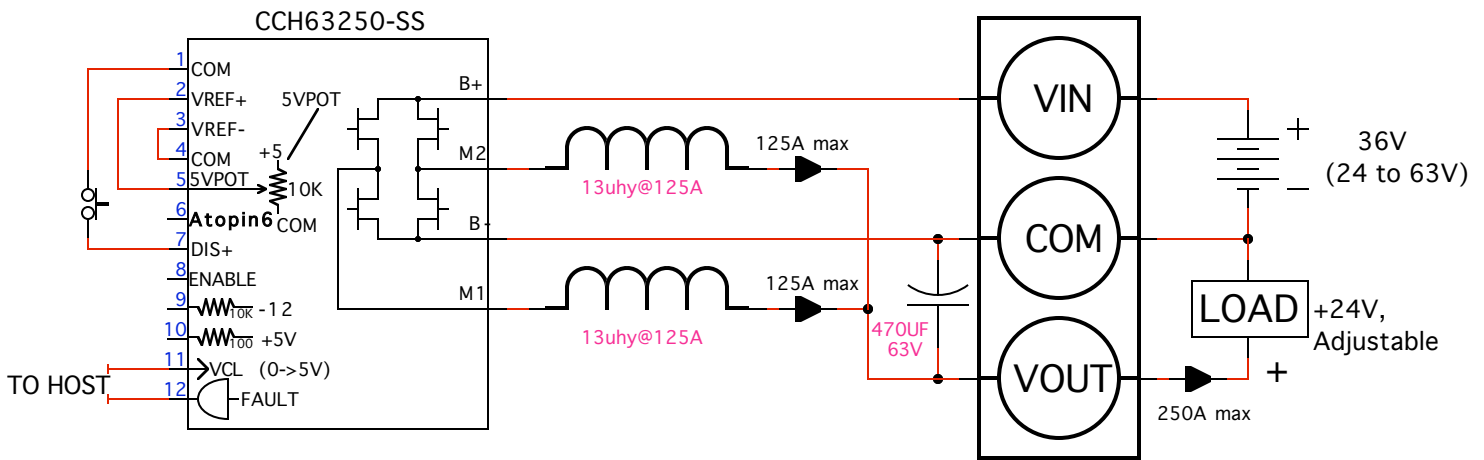
ZAHN ELECTRONICS, INC.

Email 4133 Courtney St. #5 Telephone: 262 835 9200
ZAHN Franksville, WI 53126 Fax: 262 835 9201
 Email: zahn@zahninc.com Website: zahninc.com

6-07

INSTALLATION WIRING Step Down Voltage Regulator.

DCDC36/24/6000



NOTES:

- 1 ADJUST "5VPOT", PIN 5, POT FOR DESIRED LOAD VOLTAGE.
- 2 WIRE DISABLE INPUT, PIN 7, TO NC CONTACT.
- 3 SELECTING CERTAIN SWITCHES ON TOP BOARD OF CCH UNIT ALLOWS ANY OF 16 ANALOG SIGNALS AT PIN 6.
- 4 VCL, PIN 11, SETS THE CURRENT LIMIT LEVEL OF THE LOAD.

SCH-1811-2