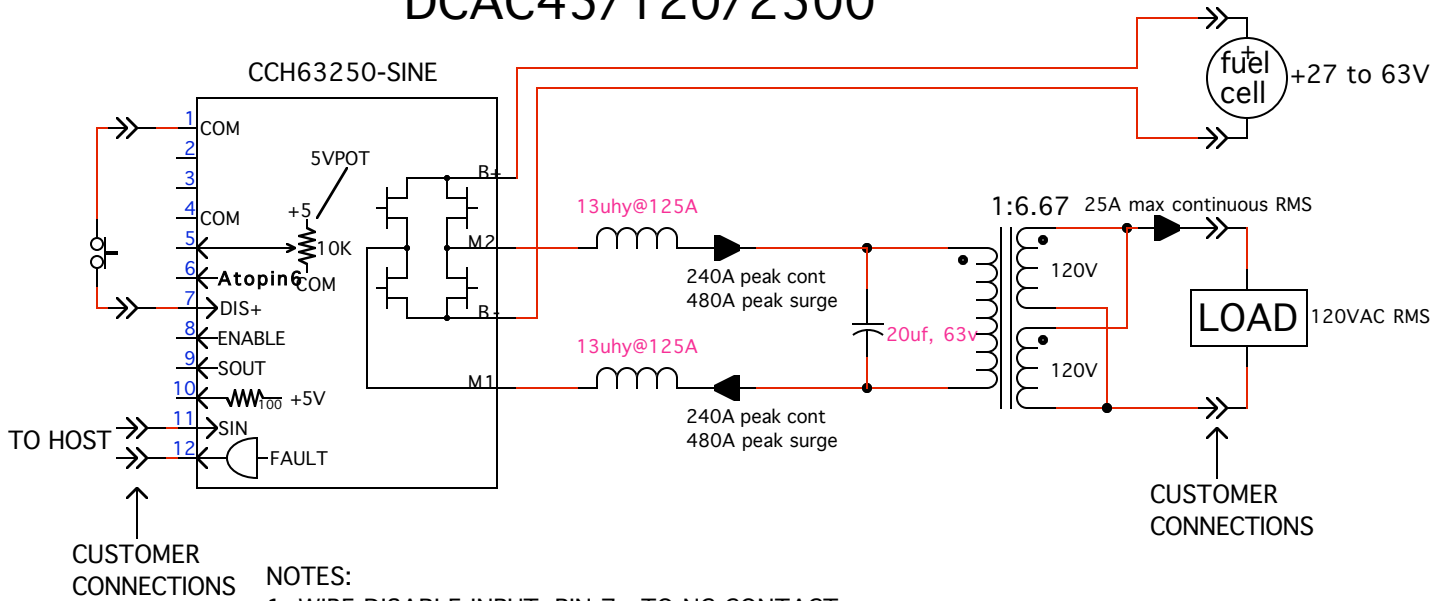


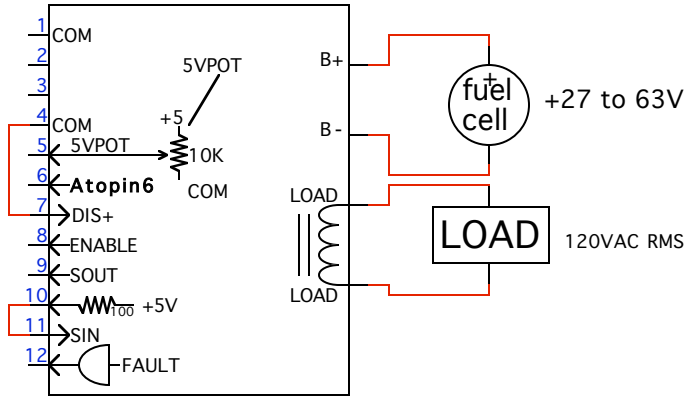
DCAC45/120/2500



NOTES:

- 1 WIRE DISABLE INPUT, PIN 7, TO NC CONTACT.
- 2 SELECTING CERTAIN SWITCHES ON TOP BOARD OF CCH UNIT ALLOWS ANY OF 16 ANALOG SIGNALS AT PIN 6.
- 3 VCL, PIN 11, SETS THE CURRENT TRIP POINT OF THE LOAD CURRENT. WIRE VCL INPUT TO A KNOWN VOLTAGE LEVEL.

DCAC45/120/2500



TYPICAL MINIMAL WIRING