

ZAHN ELECTRONICS, INC.

E-Mail
ZAHN

4133 Courtney St. #5
Franksville, WI 53126

Email: zahn@zahninc.com

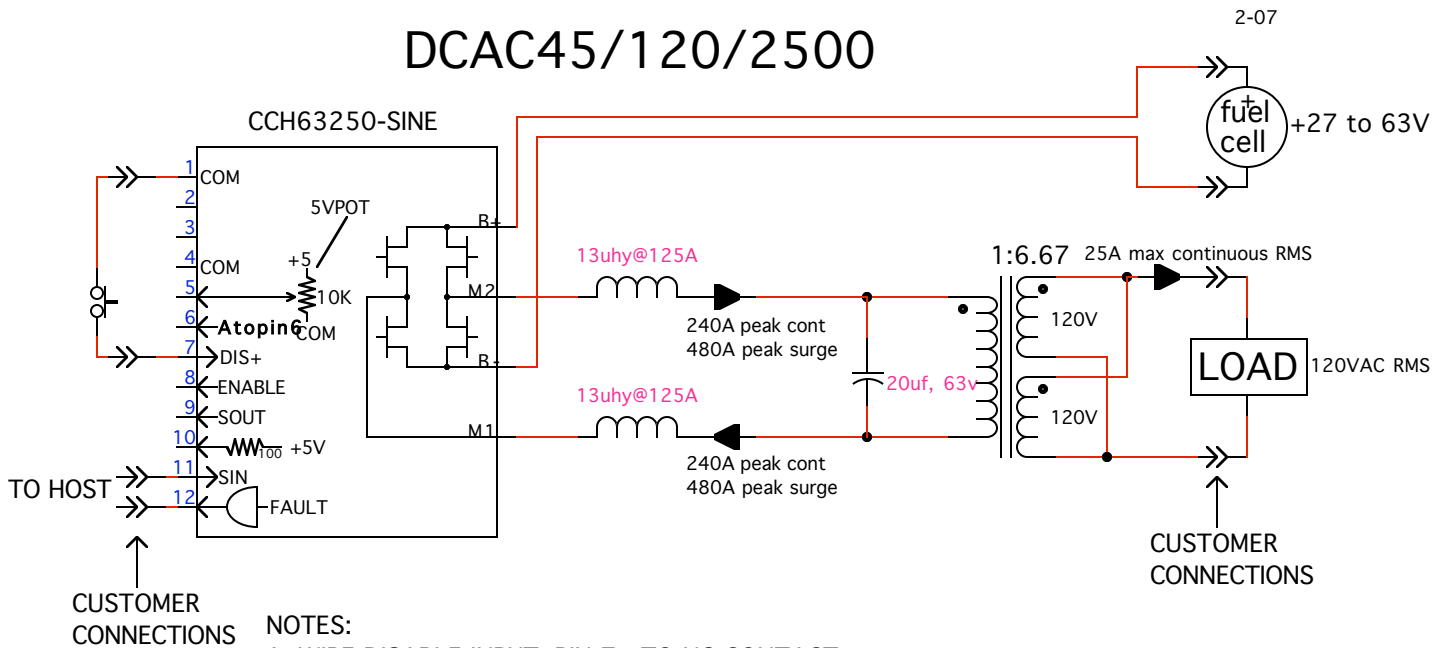
Telephone: 262 835 9200

Fax: 262 835 9201

Website: zahninc.com

INSTALLATION WIRING, DC TO AC INVERTER

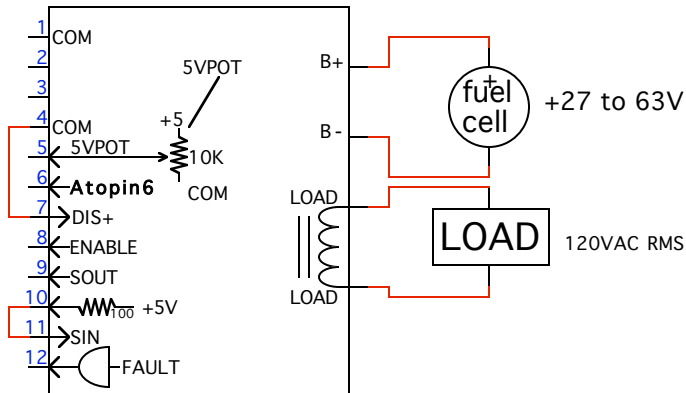
DCAC45/120/2500



NOTES:

- 1 WIRE DISABLE INPUT, PIN 7, TO NC CONTACT.
- 2 SELECTING CERTAIN SWITCHES ON TOP BOARD OF CCH UNIT ALLOWS ANY OF 16 ANALOG SIGNALS AT PIN 6.
- 3 VCL, PIN 11, SETS THE CURRENT TRIP POINT OF THE LOAD CURRENT. WIRE VCL INPUT TO A KNOWN VOLTAGE LEVEL.

DCAC45/120/2500



TYPICAL MINIMAL WIRING