

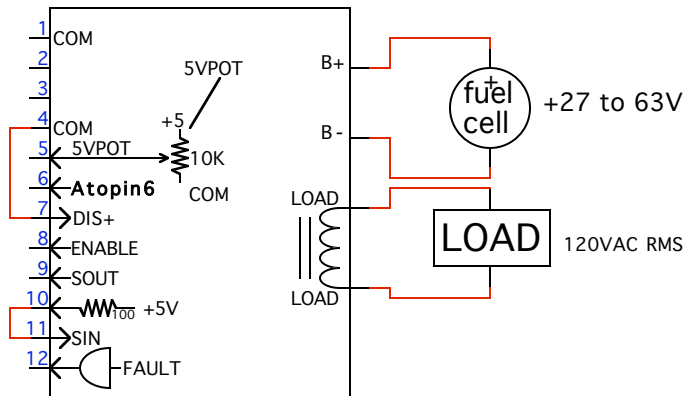


EMail 4133 Courtney St. #5 Telephone: 262 835 9200
 ZAHN Franksville, WI 53126 Fax: 262 835 9201
 Email: zahn@zahninc.com Website: zahninc.com

INSTALLATION WIRING, DC TO AC INVERTER

DCAC45/120/2500

9-06



TYPICAL MINIMAL WIRING

NOTES:

- 1 WIRE DISABLE INPUT, PIN 7, TO NC CONTACT.
- 2 SELECTING CERTAIN SWITCHES ON TOP BOARD OF CCH UNIT ALLOWS ANY OF 16 ANALOG SIGNALS AT PIN 6.
- 3 VCL, PIN 11, SETS THE CURRENT TRIP POINT OF THE LOAD CURRENT. WIRE VCL INPUT TO A KNOWN VOLTAGE LEVEL.