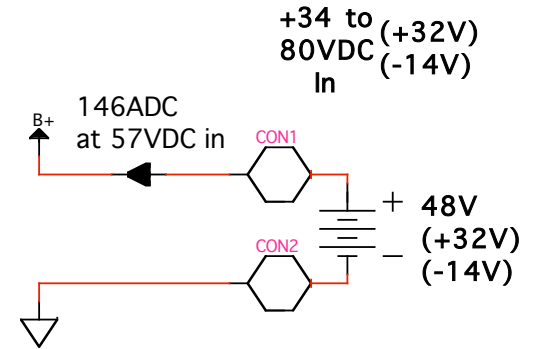


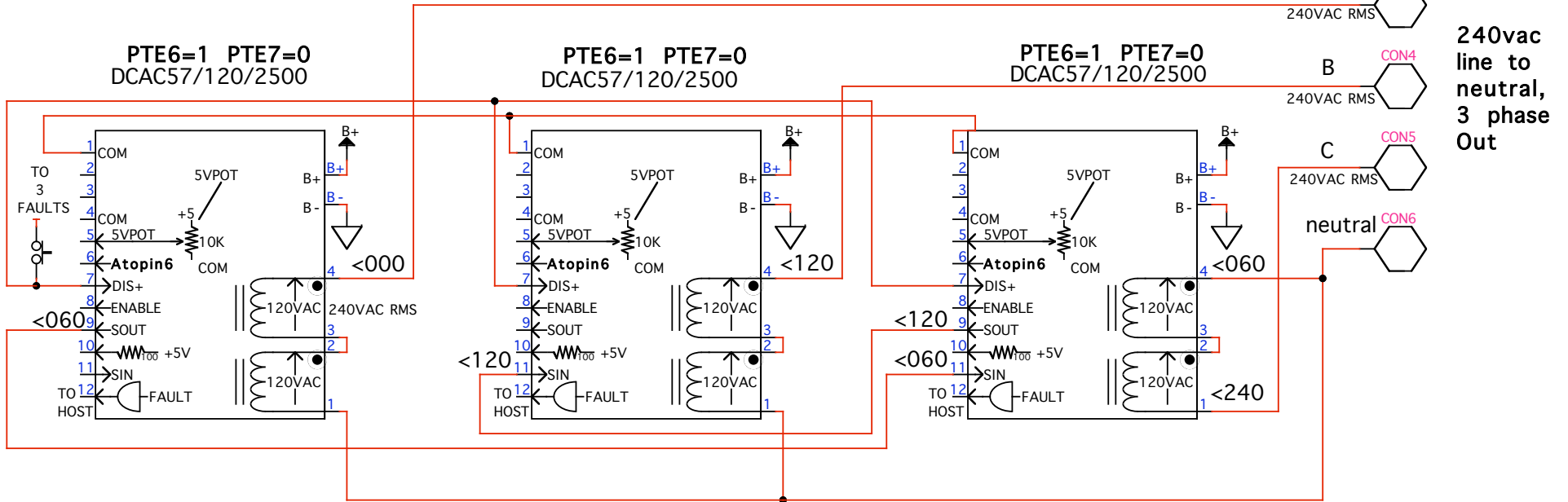


Email 4133 Courtney St. #5 Telephone: 262 835 9200
ZAHN Franksville, WI 53126 Fax: 262 835 9201
 Email: zahn@zahninc.com Website: zahninc.com



08-09,10-09

INSTALLATION WIRING, 7.5KW, DC TO 3 Phase AC INVERTER



NOTES:

- 1 WIRE DISABLE INPUT, PIN 7, TO NC CONTACT.
 - 2 SELECTING CERTAIN SWITCHES ON TOP BOARD OF CCH UNIT ALLOWS ANY OF 16 ANALOG SIGNALS AT PIN 6.
- | 3 | PTE6 | PTE7 | SOUT WITH RESPECT TO SIN | PTE6 SWITCH | PTE7 SWITCH |
|---|------|------|--------------------------------|-------------|-------------|
| | 1 | 1 | 0 DEGREES | OFF | OFF |
| | 1 | 0 | 60 DEGREES | OFF | ON |
| | 0 | X | 90 DEGREES, X means don't care | ON | X |
- 4 THE DIS+ SWITCH IS CONNECTED TO 3 FAULTS. THIS IS EACH FAULT OUTPUT, NANNDED.

dcac005