

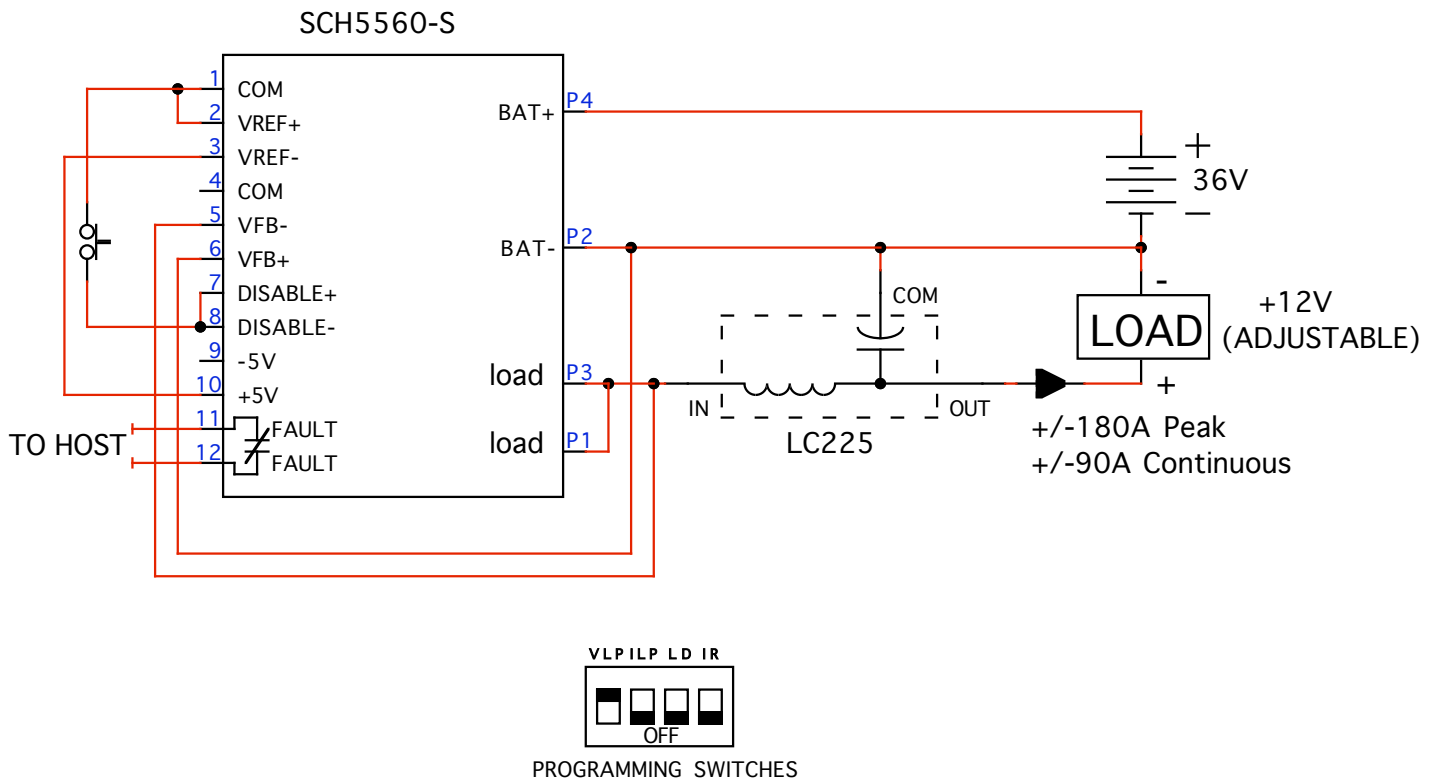


ZAHN ELECTRONICS, INC.

Email 4133 Courtney St. #5
ZAHN Franksville, WI 53126
 Email: zahn@zahninc.com

Telephone: 262 835 9200
 Fax: 262 835 9201
 Website: zahninc.com

INSTALLATION WIRING 36V TO 12V STEP DOWN DC/DC CONVERTER.



NOTES:
 1 ADJUST GAIN POT FOR DESIRED LOAD VOLTAGE.
 2 WIRE DISABLE INPUT TO NC CONTACT.

sd1411