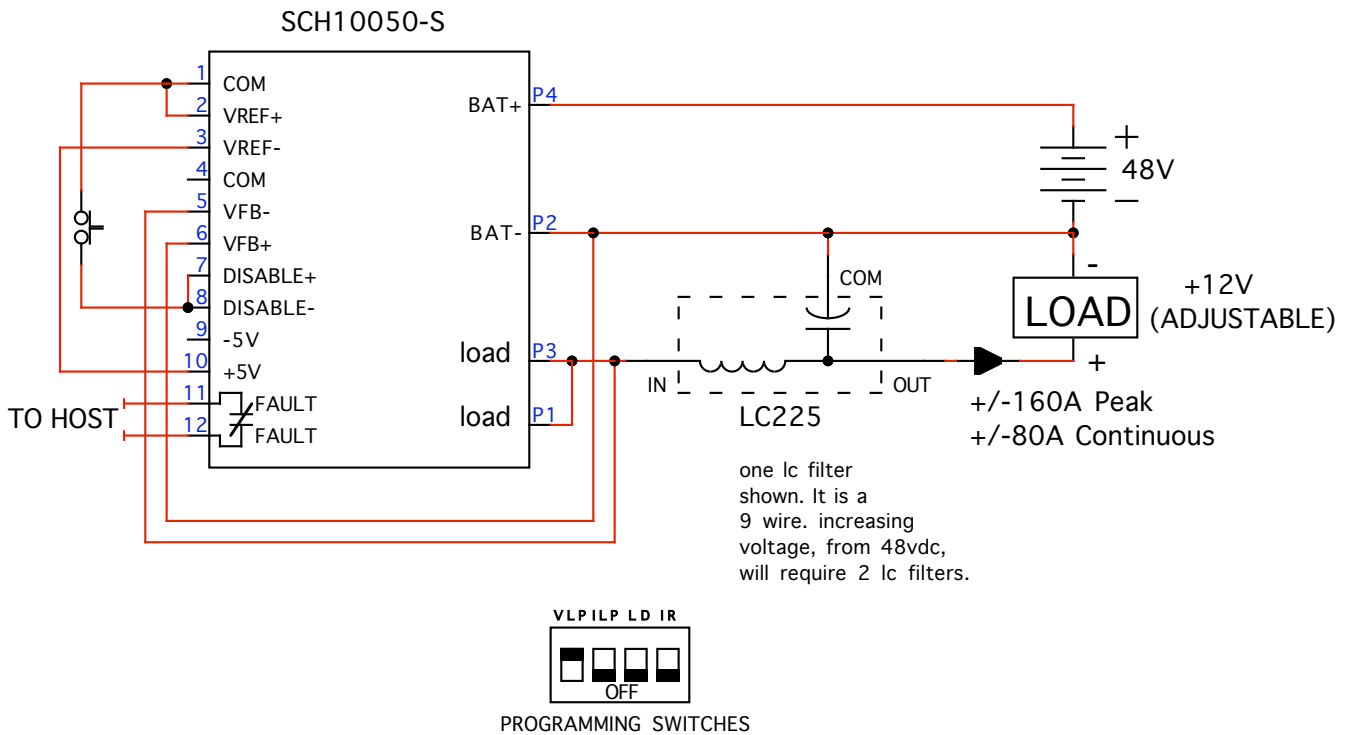


ZAHN ELECTRONICS, INC.

Email: zahn@zahninc.com 4133 Courtney St. #5 Telephone: 262 835 9200
 ZAHN Franksville, WI 53126 Fax: 262 835 9201
 Website: zahninc.com

INSTALLATION WIRING 48V TO 12V STEP DOWN DC/DC CONVERTER.



NOTES:
 1 ADJUST GAIN POT FOR DESIRED LOAD VOLTAGE.
 2 WIRE DISABLE INPUT TO NC CONTACT.

sd1412