



# ZAHN ELECTRONICS, INC.

Email  
ZAHN

4133 Courtney St. #5  
Franksville, WI 53126

Telephone: 262 835 9200  
Fax: 262 835 9201

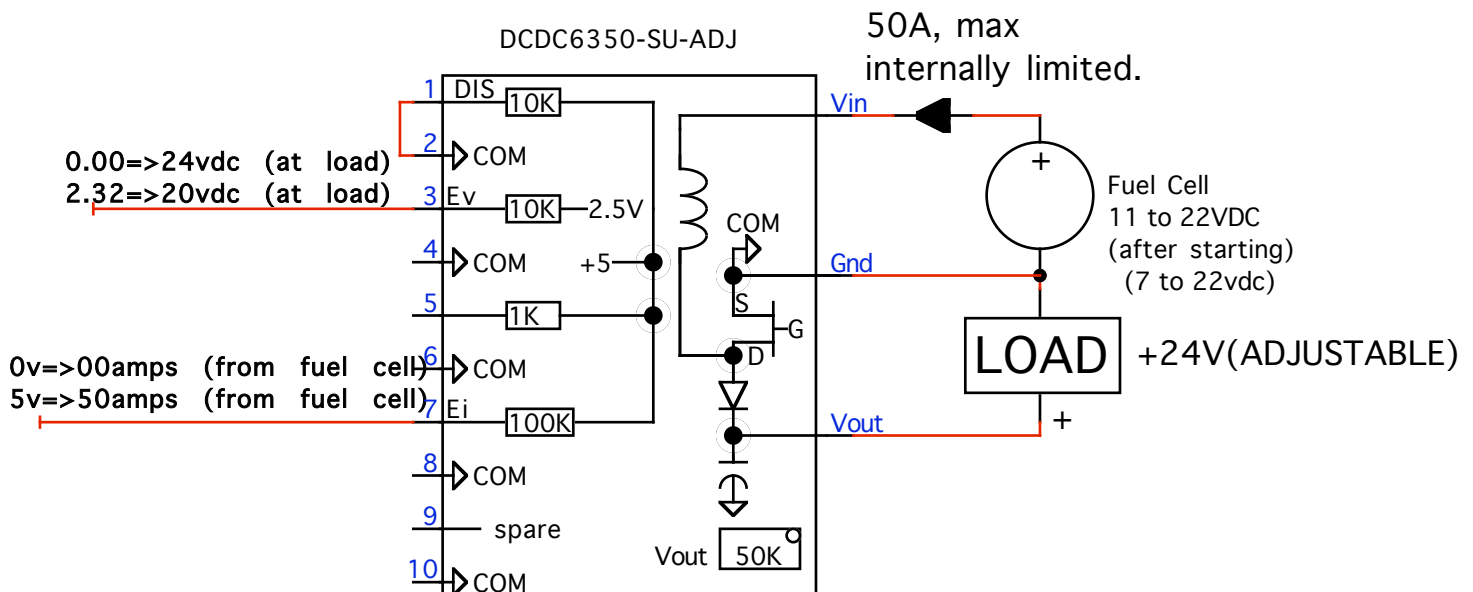
Email: zahn@zahninc.com

Website: zahninc.com

## INSTALLATION WIRING

10-08

### FUEL CELL TO 24V STEP UP DC/DC CONVERTER.



#### NOTES:

- 1 Adjust the onboard 50KΩ pot for 20vdc at the load.  $E_v = 0$ .
- 1  $E_v$  control from host.  $E_v$  controls the output voltage.
- 2  $E_i$  control from host.  $E_i$  controls the input current limit.
- 3 DIS, disable input will disable converter. Disabling the converter makes the output voltage,  $V_{out}$ , equal to the input voltage,  $V_{in}$ . Follow the input current thru the inductor, (the inductor is a short since there is no switching), thru the diode to  $V_{out}$ . (the FET is off)