

ZAHN

ELECTRONICS, INC.

Email
ZAHN

4133 Courtney St. #5
Franksville, WI 53126

Telephone: 262 835 9200
Fax: 262 835 9201

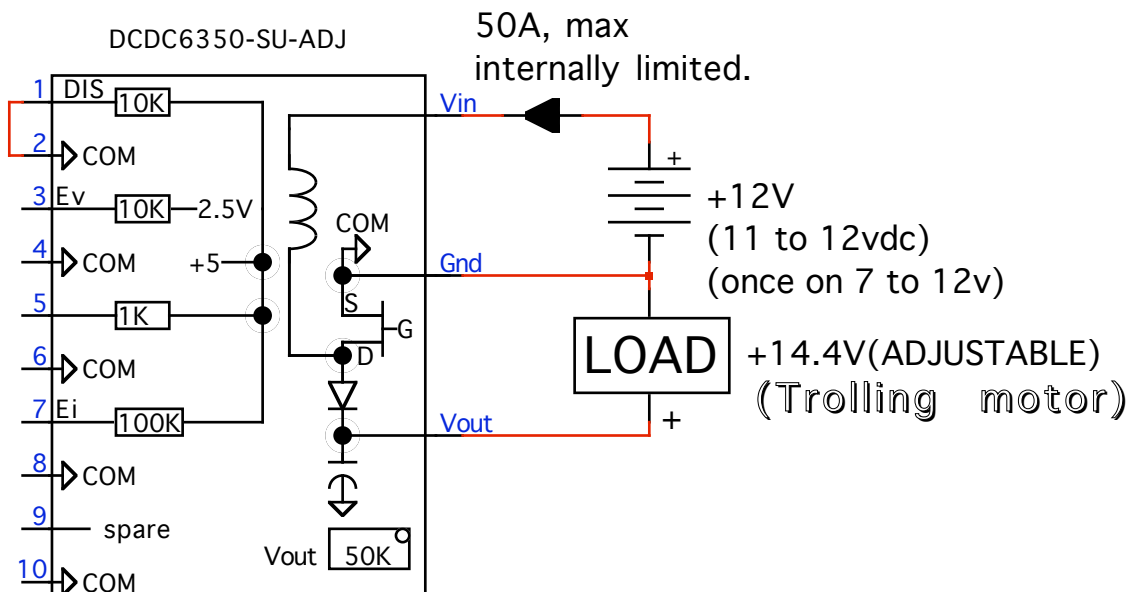
Email: zahn@zahninc.com

Website: zahninc.com

INSTALLATION WIRING

10-08

12V to 14.4V STEP UP DC/DC CONVERTER.



NOTES:

- 1 Adjust the onboard 50KΩ pot for 14.4vdc at the load.
- 2 DIS, disable input will disable converter. Disabling the converter makes the output voltage, V_{out} , equal to the input voltage, V_{in} . Follow the input current thru the inductor, (the inductor is a short since there is no switching), thru the diode to V_{out} . (the FET is off)

su1220d